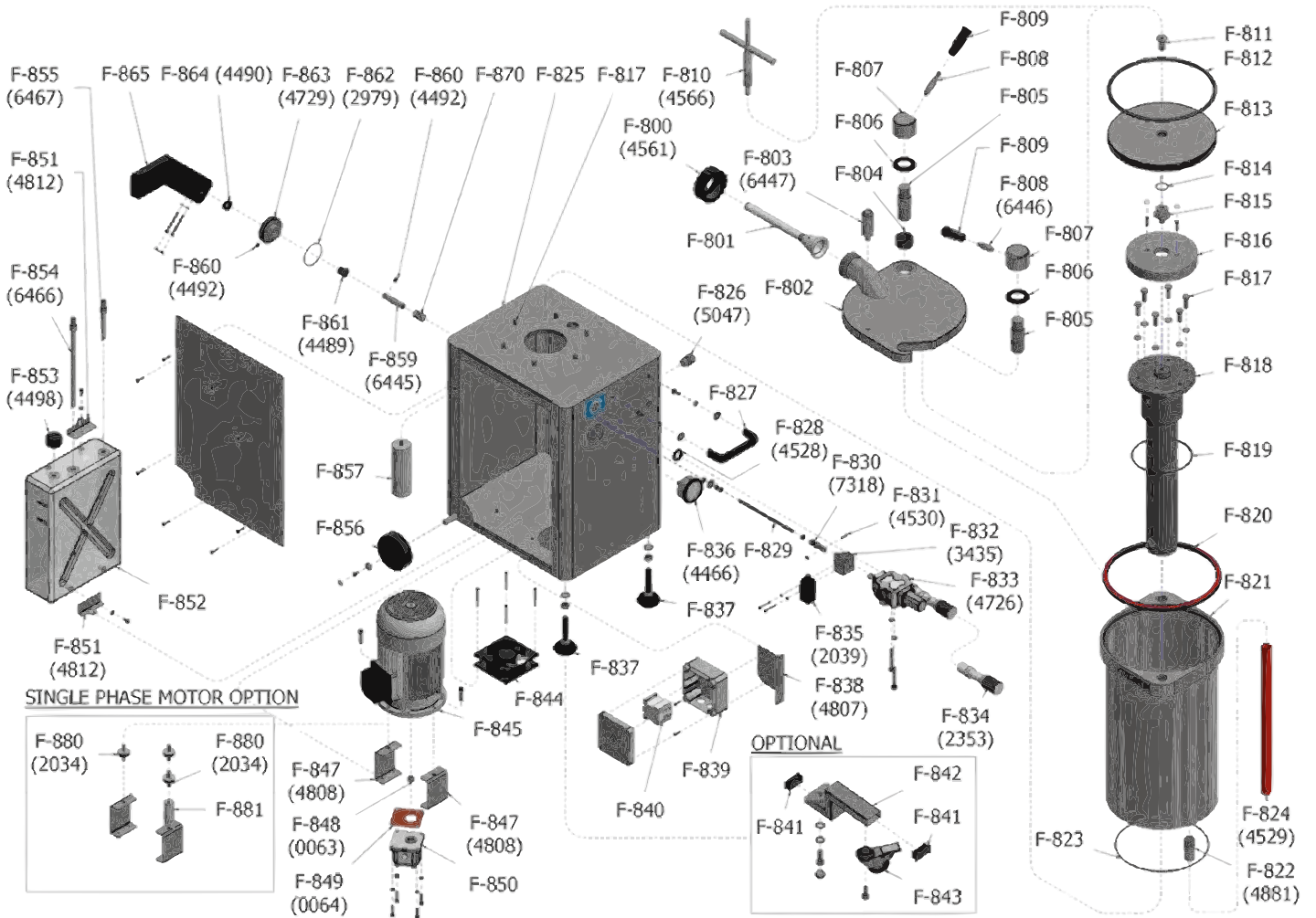


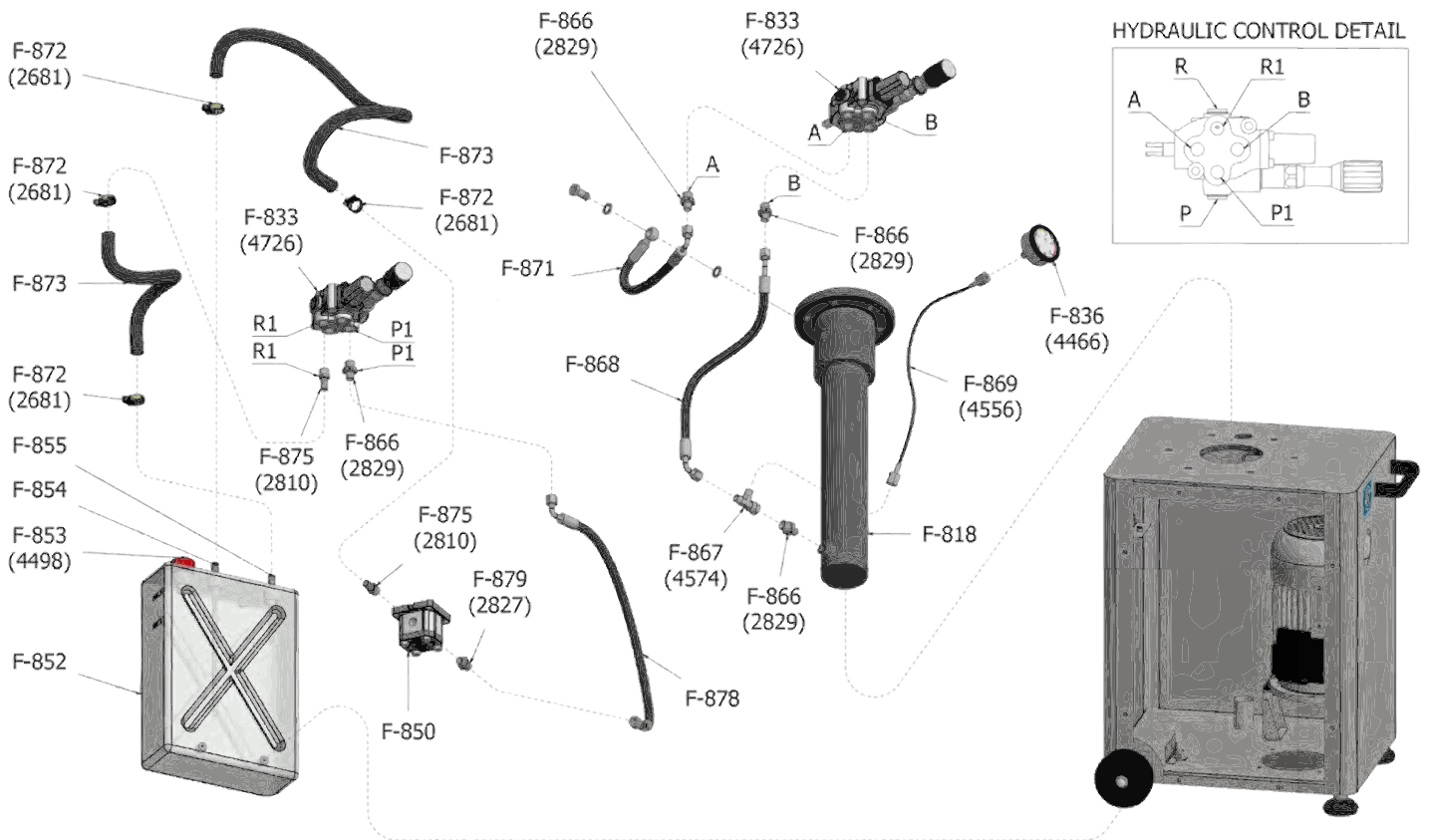
# Parts Breakdown

Model SS-ES-0065-FS 46101



# Parts Breakdown

**Model SS-ES-0065-FS 46101**



# Parts Breakdown

## Model SS-ES-0065-FS 46101

Item No.	Description	Position	Item No.	Description	Position	Item No.	Description	Position
66842	Nozzle/Horn Retention Nut Black for 46101	F-800	66932	O-Ring, Int. Diam. 275x4, Flange Dough Barrel for 46101	F-823	39059	Air Extraction Fan 220V 1PH for 46101	F-844
66843	Nozzle/Horn Poliet. HD Translucent D.EXT.14 INT.10L.Use 160mm (6") for 46101	F-801	66868	Transparent Fabric Hose PVC D.32x25, Deposit Drain for 46101	F-824	66925	Motor 110V-60HZ-1 for 46101	F-845
66844	Nozzle/Horn Poliet. HD Translucent D.EXT.20 INT.16L.Use 196mm (8") for 46101	F-801	66922	Cabinet with Accessories for 46101	F-825	19410	Motor 3-Phase H 3/208/220V-60HZ-0.75HP-0.55KW 1700 RPM for 46101	F-845
66845	Nozzle/Horn Poliet. HD Translucent D.EXT.30 INT.26L.Use 196mm (8") for 46101	F-801	66870	Grommet, S-Tec 5308959 M20x1,5/13 Poliamyde, Grey for 46101	F-826	36046	Motor 1-Phase 1/220V-60HZ-1.75HP-1 3KW-1700 Clockwise Rotation Capac.40 for 46101	F-845
66927	Stainless Steel Lid without Accessories for 46101	F-802	66923	Handle M8 for 46101	F-827	66887	Motor Mounting Bracket for 46101	F-847
66847	Lid Opening Lever AISI303 for 46101	F-803	66872	Wall Pass-Through D.34/21,8x6mm EPDM Black 70 SH for 46101	F-828	31222	Motor-Pump Coupling for 46101	F-848
66848	Bras Bushing B11 Lid for 46101	F-804	66924	Threaded Rod Hydraulic Control M8 AISI304 for 46101	F-829	31221	Seal, Vellumoid 1625-1 for Pump Type L for 46101	F-849
66849	Stainless Steel Bolt, Lid for 46101	F-805	19415	Internal Fork, Hydraulic Control Activator, Stainless Steel for 46101	F-830	36028	Gear Pump for 46101	F-850
AD191	Washer for Lid Lock Nut, Bronze B7 for 46101	F-806	66875	Cylindrical Pin, D.6x19,5 Stainless Steel for 46101	F-831	66889	Support Oil Reservoir/Cabinet for 46101	F-851
66851	Nut for Lid Lock AISI303 for 46101	F-807	36037	Hydraulic Control Micro Switch Holder for 46101	F-832	66890	Internal Oil Reservoir, Poliprop. White for 46101	F-852
66852	Lever for Lid Lock Nut AISI303, without Black Knob for 46101	F-808	66877	Hydraulic Control 102N8SA23X-340 with Pressure Knob for 46101	F-833	66891	Oil Cap Depressurized Red for 46101	F-853
66853	Knob Black Thread M10 80mm for 46101	F-809	31219	External Pressure Valve Control Assembly M1670/861, Black Knob for 46101	F-834	66892	Oil Return Pipe D.10 L.120mm for 46101	F-854
66854	Spanner/Wrench, Piston Extractor for 46101	F-810	16524	Micro Position Detector, Comepi Metal Wheel for 46101	F-835	66893	Oil Suction Pipe D.10 L.270mm for 46101	F-855
66855	CSK Allen Screw, Stainless Steel DIN7991 for 46101	F-811	66878	Pressure Gauge D.63, Wika 213.53, 0-200 Bar, Thread 1-4" for 46101	F-836	36110	Wheel, Nylon for 46101	F-856
66928	Piston Gasket, O-Ring, Red Silicone (1"Piston) for 46101	F-812	66879	Foot, Stainless Steel for 46101	F-837	AF864	Capacitor 110V-60HZ for 46101	F-857
66929	Piston, Stainless Steel, without O-Ring for 46101	F-813	66880	Holder Isolating Box for 46101	F-838	AF863	Capacitor 230/220V-50HZ for 46101	F-857
66914	O-Ring, Int. Diam. 29x2 Threaded Tip Piston for 46101	F-814	36042	Isolating Box, Legrand 100x100x55mm Code 92138 for 46101	F-839	66895	Activator Knee Lever D.15 L.70mm AISI303 for 46101	F-859
66915	Threaded Tip Hydraulic Cylinder Bolt AISI303 for 46101	F-815	66048	Isolating Box, IDE 162x116x76, Polycarbonate (H UL-CSA +110V) for 46101	F-839	66896	Pedal Brass Bushing, B11 A-6-9-12 for 46101	F-860
66916	Hood Clamp, Hydraulic Cylinder, Grey for 46101	F-816	79579	Contact, LS MC-22B AC 110V/60&50Hz 1A1B EXP A.C. 22 AMP for 46101	F-840	66897	Brass Bushing, B11 B-15-20-20/25-3 with Collar for 46101	F-861
66861	Stainless Steel Hexagonal Screw for 46101	F-817	44093	Contact 6A 208V/60HZ/3 for 46101	F-840	66898	O-Ring, Int. Diam. 61x2 for 46101	F-862
AD193	Hydraulic Cylinder for 46101	F-818	44094	Contact 6A 220V-208V/60HZ/1-3 for 46101	F-840	66899	Support Knee Lever AISI304 for 46101	F-863
66918	O-Ring, Int. Diam. 145x5, Hydraulic Cylinder for 46101	F-819	66881	Cap, Kapsto, GPN270, Swivel Castors for 46101	F-841	66900	Gasket, Knee Lever for 46101	F-864
66930	Lid Seal Polyurethane Red for 46101	F-820	66882	Extension Swivel Castor AISI304 for 46101	F-842	AF861	Knee Lever, Black for 46101	F-865
66931	Fixed Dough Barrel for 46101	F-821	66883	Swivel Caster Black/Stainless Steel with Brake for 46101	F-843	66902	Hydraulic Union, Simple, GE8LR 3/8" BSP for 46101	F-866
AF858	Deposit Drainage Pipe D.27 L.62 Gas 3/4" for 46101	F-822	66884	Fan, 120x120x38 110V 50/60HZ 1-Phase 156 M3/H 115V UL/CSA for 46101	F-844	66903	T Joint EVL-08 (Outlet Control to Hydraulic Cylinder + Gauge) for 46101	F-867

# Parts Breakdown

## Model SS-ES-0065-FS 46101

Item No.	Description	Position	Item No.	Description	Position	Item No.	Description	Position
66904	Hose, R1T1/4 TL90HG8L-TL45HG8L, Bottom Cylin-Hydr Control for 46101	F-868	66909	Rubber Hose Klemine-20 Bar D.12x20 for 46101	F-873	AD192	Motor Mounting Bracket for 46101	F-881
66905	Hose, Pressure Gauge 1/4", Length 500mm for 46101	F-869	61763	Nozzle Cover, Rubber 12 Male Thread 3/8" (Draining Hose) for 46101	F-875	AC974	Washer, Stainless Steel, Straight D.6,4-M6 DIN125 for 46101	
AF862	Compression Spring for 46101	F-870	66910	Hose, R1T1/4 TL90HG8L-TL45HG8L (Hydraulic Pump Control) for 46101	F-878	AC973	Allen Screw, Stainless Steel M6x55 DIN912 for 46101	
66907	Hose, 290mm R1T1/4 ESF1/4-TL90HG8L, Top Cylin-Hydraulic Control for 46101	F-871	65038	Hydraulic Union, Simple, GE8LR 1/4" BSP for 46101	F-879			
66908	Hose Clamp, Mikalor D.12-20/9 for Hydr. Oil Drain Tube NH for 46101	F-872	19253	Rubber Cylindrical Foot Series T-30-10 Black (Antivibration for Motor NH) for 46101	F-880			